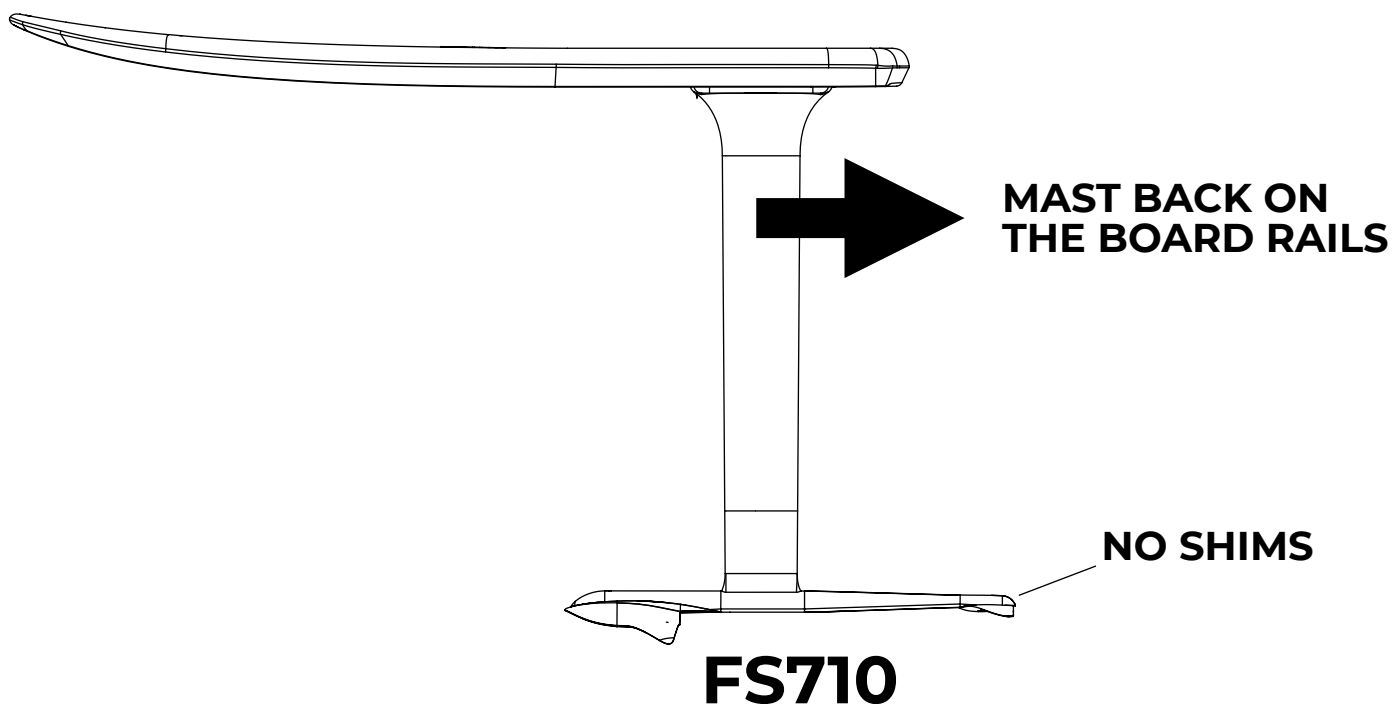


[EN] FIRST SET-UP GUIDE

CASE 1: Kit with FS710

If you own a kit with FS710 fuselage follow the guidelines below on your first exit. Then adjust the position of mast and footstraps on the board, and the incidence angle by using the appropriate shims [MHW060] according to your preferences.



CASE 2: Kit with F700-HS

If you own a kit with F700-HS fuselage follow the guidelines below on your first exit. Then adjust the position of mast and footstraps on the board, and the incidence angle by using the appropriate shims [MHW060] according to your preferences.

